

CLUTCH

DIAPHRAGM CLUTCH AND SLAVE CYLINDER, '64-'82 2

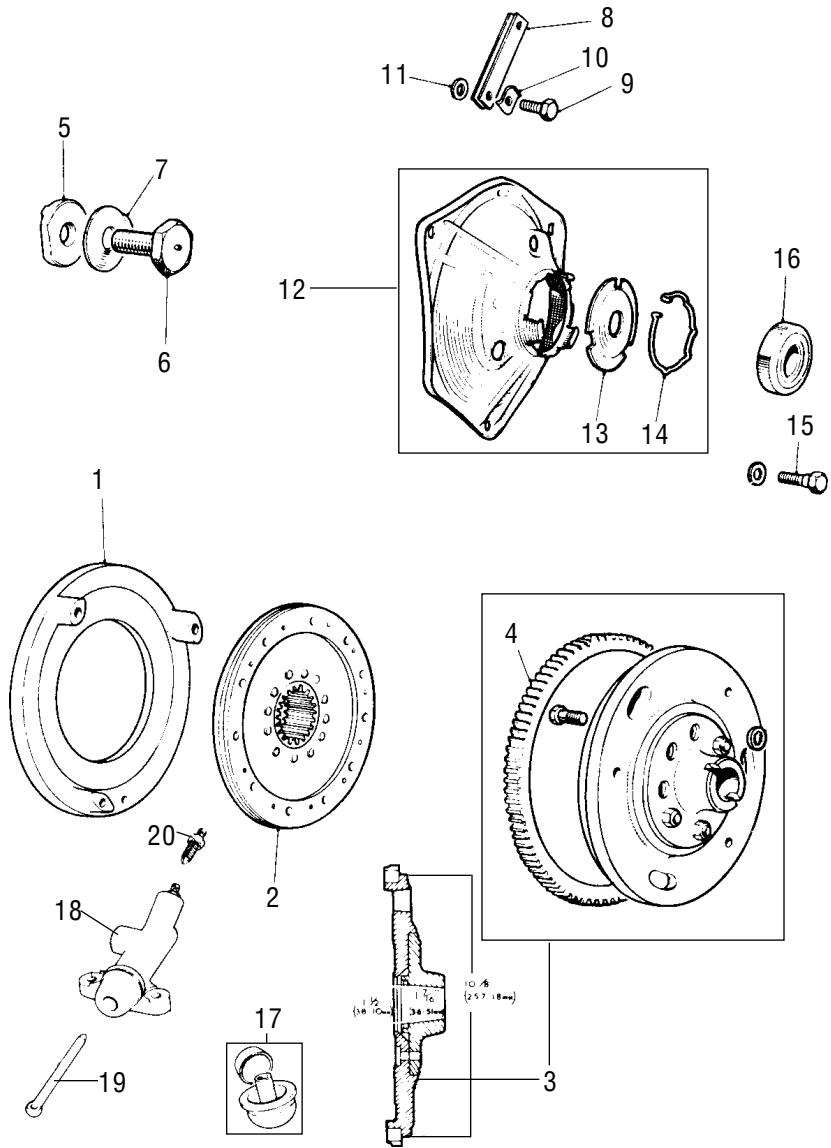
VERTO CLUTCH AND SLAVE CYLINDER, '82-ON 4

CLUTCH HOUSINGS 6

MASTER CYLINDERS AND PEDALS 8



DIAPHRAGM CLUTCH AND SLAVE CYLINDER - 1964 ON



DIAPHRAGM CLUTCH AND SLAVE CYLINDER -1964 ON

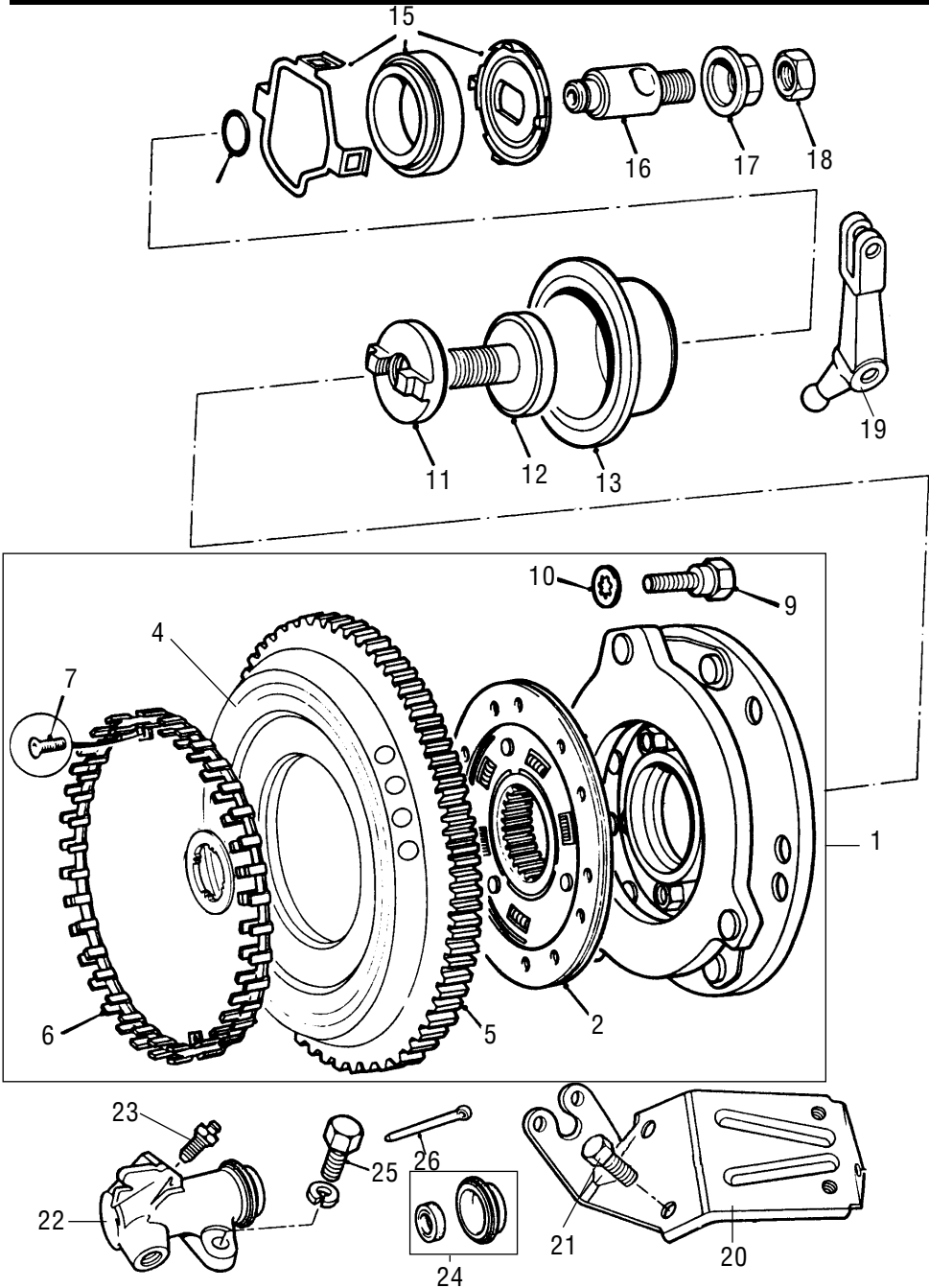
NO.	PART NO.	DESCRIPTION	QTY	REMARKS
1	22A598	Pressure plate	1	Except 'S'
1	22G270	Pressure plate use C-AHT230	1	Cooper 'S'/1300GT
2	GCP204	Clutch plate	1	
3	12G3014	Flywheel with ring gear, now one piece	1	Replaces all
3	C-AEG421	Flywheel with ring gear, lightened steel	1	Suitable for road
4	12G676	Ring gear, 0.500" wide	1	
4	22G2613	Ring gear, thin, automatic and C-AEG619 (0.343" wide)	1	
5	88G508	Key - flywheel to crankshaft	1	
6	22A747	Flywheel bolt	1	
7	22A1155	Locktab	1	Also in kit 18G8086
8	2A3658	Driving strap	6	
9	2A3659	Strap to flywheel screw	3	
10	2A3512	Locktab	3	
11	GHF302	Plain washer	3	
12	GCC102	Clutch diaphragm assembly 850cc, 998cc	1	Use GCC103
12	GCC103	Clutch diaphragm assembly 1275cc	1	
13	AAU7154	Release plate was 22G1152	1	1275cc
13	22G364	Release plate	1	Except 1275cc
14	22A921	Release plate clip	1	
15	2A3657	Pressure plate to diaphragm bolt	3	
16	GRB201	Release bearing was 22A1156	1	
17	8G8446	Slave cylinder repair kit	1	
18	22A233	Slave cylinder	1	From 1959 on
19	13H396	Push rod	1	
20	3H2428	Bleed nipple	1	
	18G8086	Flywheel locktab kit	1	Not shown
	07.001	Flywheel puller	1	Not shown

3

4



VERTO CLUTCH AND SLAVE CYLINDER - 1982 ON

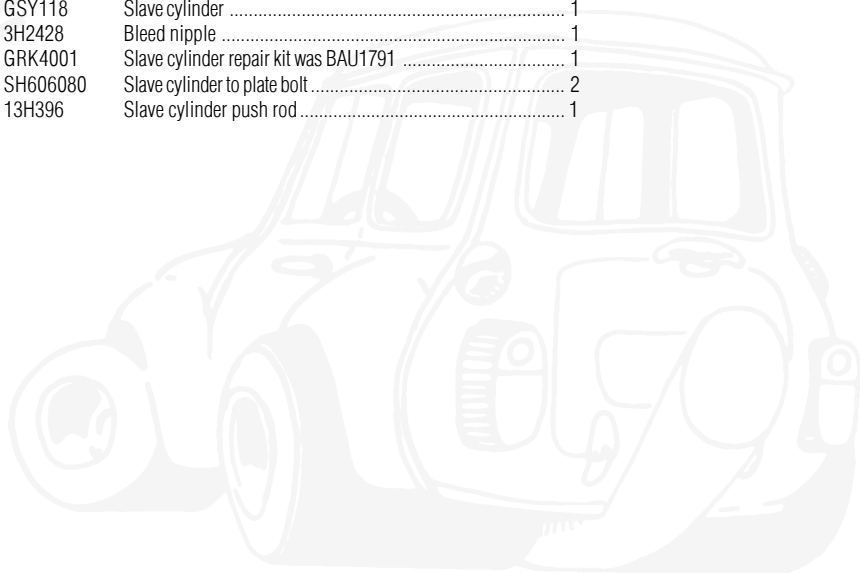


VERTO CLUTCH AND SLAVE CYLINDER 1982 ON

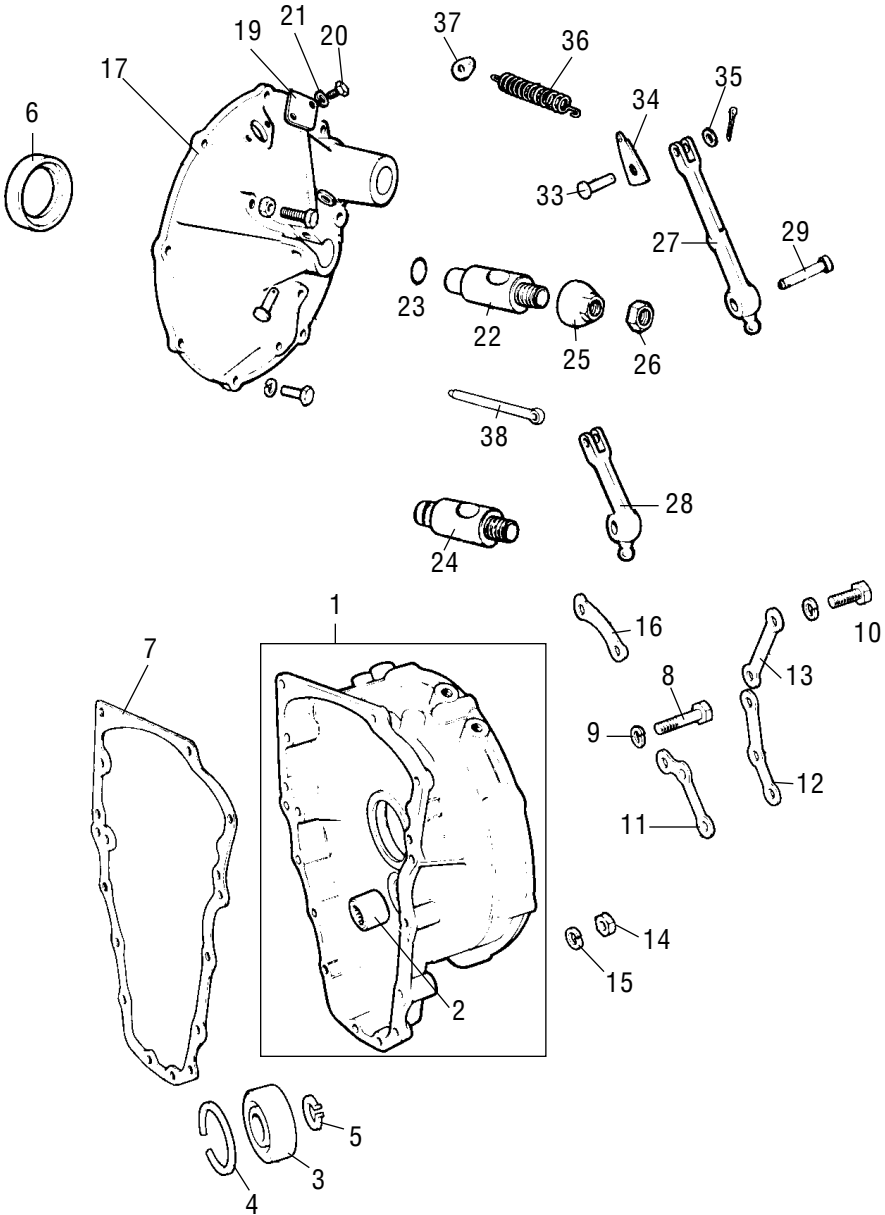
NO.	PART NO.	DESCRIPTION	QTY	REMARKS
1	GCU90107	Verto clutch assembly	1	Inertia starter
1	GCU90115AF	Verto clutch assembly	1	Pre-engaged starter
1	GCU90116AF	Verto clutch assembly	1	Turbo
1	GCU90119AF	Verto clutch assembly	1	1300cc carb type
1	GCU90120AF	Verto clutch assembly with reluctor ring	1	1300cc fuel injection
2	GCP271	Clutch plate 1982 to 1990	1	
2	GCP90821AF	Verto clutch plate	1	Turbo
2	GCP90311AF	Verto clutch plate	1	1000cc
2	GCP90832AF	Verto clutch plate	1	1300cc
3	GCC679	Verto diaphragm only	1	1000cc
4	C-AEG422	Steel lightened flywheel with ring gear	1	Tuning part
5	12G2445	Ring gear, 107 teeth	1	Inertia starter
5	PSF10003	Ring gear, 129 teeth, was DAM7487	1	Pre engaged starter
6	WAM1188	Reluctor ring for electronic management system (TBI)	1	
7	SJ104121M	Screw for reluctor ring	1	
8	DAM2821	Verto clutch seal protector (plastic shield)	1	
9	BAU2319	Diaphragm to pressure bolt	3	
10	BAU2320	Crinkle type washer	3	
11	DAM5923	Locking plate key	1	
12	DAM5922	Flywheel retaining lock bolt	1	
13	AHU1564	Thrust sleeve	1	
14	AAU2866	'O' ring	1	
15	GRB239	Clutch release bearing complete	1	
16	DAM5353	Clutch release plunger	1	
17	22A427	Stop plunger	1	
18	NT610041	Nut, to lock 22A427	1	
19	DAM5355	Clutch arm, short	1	
20	DAM5992	Mounting plate for slave cylinder	1	
21	GHF165	Bolt for plate to case	2	
22	GSY118	Slave cylinder	1	
23	3H2428	Bleed nipple	1	
24	GRK4001	Slave cylinder repair kit was BAU1791	1	
25	SH606080	Slave cylinder to plate bolt	2	
26	13H396	Slave cylinder push rod	1	

3

4



CLUTCH HOUSINGS



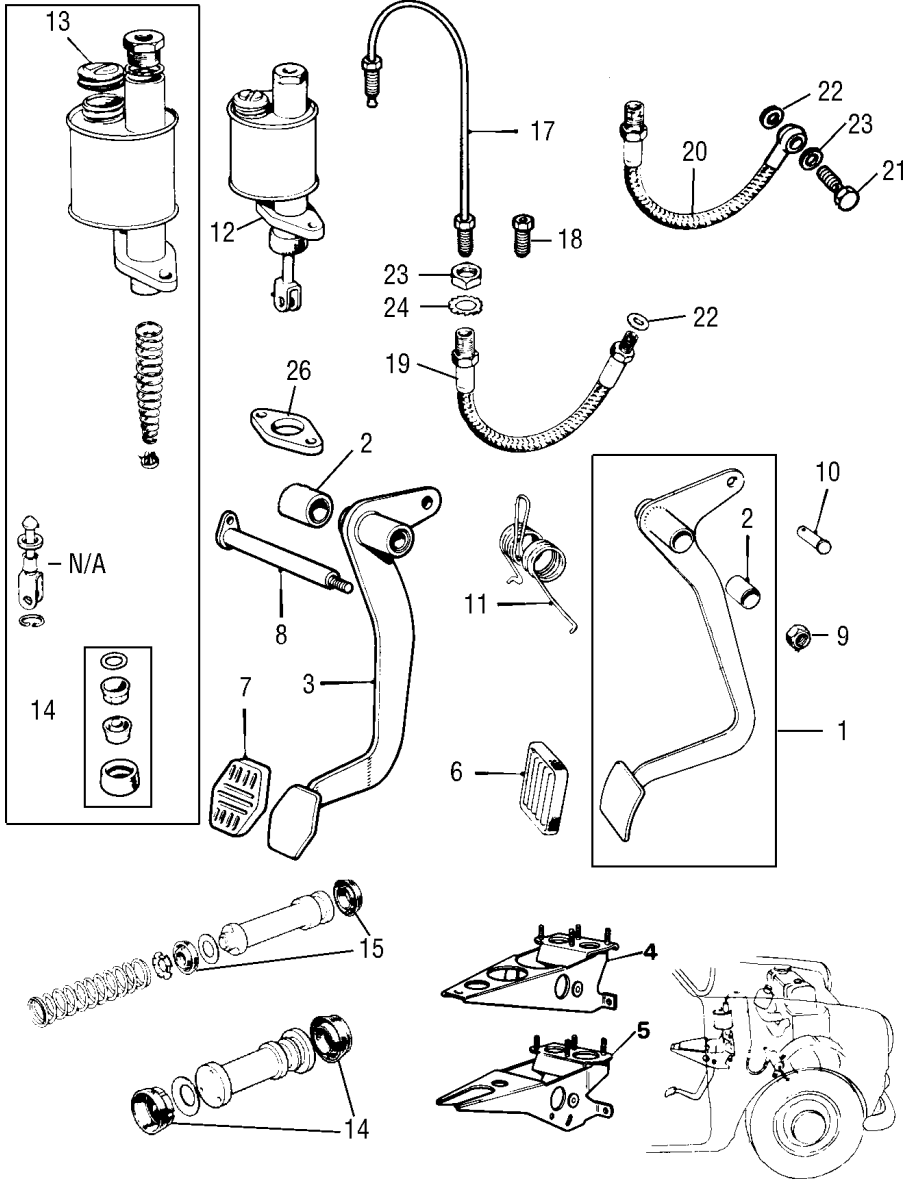
CLUTCH HOUSINGS

NO.	PART NO.	DESCRIPTION	QTY	REMARKS
1	22G1837	Flywheel housing	1	NLA, use FAM6257/9
1	DAM6074	Flywheel housing	1	Turbo only
1	DAM6259	Flywheel housing - use with AHU1707 or DAM3745	1	998cc,
1	TRD10015	Flywheel housing, was DAM6257, use with AHU1707	1	1300cc (Breather hole)
2	AHU1707	Idler bearing 1.375" 34.92mm O/D	1	.875" I/D
2	DAM3745	Idler bearing 1.375" 34.92mm O/D	1	.750" I/D
2	13H7848	Idler bearing 1.065" 27.05mm O/D	1	4 synchro early
2	88G302	Idler bearing 1.004" 25.5mm O/D	1	3 synchro
3	AAU8424	1st motion shaft nose bearing, was 13H6080	1	13H6080 not interchangeable with AAU8424
3	ADU6033	1st motion shaft nose bearing 1.692" 42.98mm O/D	1	Turbo only
4	2A3643	Circlip for AAU8424 in flywheel housing	1	
4	ADU7194	Circlip for ADU6033 in flywheel housing	1	Turbo only
5	CCN110	Circlip for holding 1st motion shaft bearing	1	
6	13H2934	Clutch oil seal (DAM2821 seal protector available)	1	
6	LVF10005	Clutch oil seal (reductor type flywheel)	1	Injection only
7	22A2237	Flywheel casing gasket	1	
8	BH605141	Clutch case screw, long was BH605141	3	DAM7758 bolt, alternative
9	GHF332	Clutch case washer was LWZ305	3	
10	GHF103	Screw, short was SH605081	3	DAM7753 bolt, alternative
11	22A1762	Locktab	1	Part of 18G8086
12	22A1761	Locktab	1	Part of 18G8086
13	2A3521	Locktab	1	Part of 18G8086
14	FNZ505	Nut	9	
15	GHF332	Washer was LWZ305	4	
16	22A1241	Locktab	1	Part of 18G8086
17	88G300	Cover, with timing hole	1	
17	AHU1106	Cover - Verto with no timing hole	1	
18	DAM7755	Bolt - clutch cover	8	
19	2A3635	Cover for timing hole	1	
20	SH604041	Screw for timing hole cover	2	
21	GHF331	Washer	2	
22	22A180	Plunger, press fit for release bearing GRB201	1	
22	DAM1955	Plunger, which takes GRB238 and DAM2413	1	Release bearing fit
23	DAM2413	Clip, to hold GRB238 to DAM1955	1	loose on plunger
24	DAM5353	Plunger verto clutch	1	1982 on
25	22A427	Plunger stop	1	
26	NT610041	Nut, was FNZ210	1	
27	22A2204	Clutch arm, was 2A3518, pre Verto	1	
28	DAM5355	Clutch arm short verto only	1	1982 on
29	CLZ628	Clevis pin, lever to case	1	
30	GHF302	Washer, was PWZ106	1	
31	GHF101	Adjusting screw was HZS409	1	
32	FNZ604	Locking nut	1	
33	CLZ518	Clevis pin, lever to push rod	1	
34	2A3601	Spring anchor	1	
35	GHF301	Washer was FWZ105	1	
36	1G5999	Clutch spring	1	
37	2A3600	Anchor spring end	1	Pre Verto
38	13H396	Slave cylinder push rod	1	All Minis

3

4

CLUTCH AND PEDAL LINKAGE



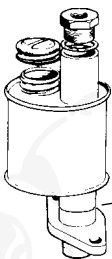
CLUTCH AND PEDAL LINKAGE

NO.	PART NO.	DESCRIPTION	QTY	REMARKS
1	2A5866	Pedal assembly R/H/D pre 1976	1	CWE
2	2A3034	Pedal bush for all	2	
3	NAM3116	Pedal assembly R/H/D	1	1976 on
3	NAM3115	Pedal assembly L/H/D	1	1976 on
4	21A2467	Pedal box assembly single line brakes	1	NLA
5	NAM8670	Pedal box assy for tandem master cylinder was FAM4368	1	Tandem brake
6	GPR104	Pedal pad (rubber) to 1976	1	
7	GPR107	Pedal pad (rubber) 1976 to 1990	1	
7	SZU10001	Pedal pad 1990 on	1	
8	2A5880	Shaft for brake and clutch pedal	1	
9	GHF222	Lock nut for 2A5880	1	
10	CLZ512	Clevis pin master cylinder to pedal	1	
11	2A5652	Pedal return spring	1	
12	GMC1008	Clutch master cylinder was AAU4969	1	
13	51323A	Plastic filler cap	1	
14	8G8424	Repair kit with one flat cap end seal and one ring seal	1	Rubber seals only
15	SSB960	Repair kit with 2 ring type seals	1	Rubber seals only
16	31G279	Sealing washer	1	
17	SPA12	Metal pipe with unions R/H/D	1	12" long
17	SPA32	Metal pipe with unions L/H/D	1	32" long
18	TM606031	Clutch pipe unions	A/R	
19	13H300	Clutch hose for 22A233 slave cylinder	1	
19	C-AJJ4025	Steel braided hose	1	
20	GVP1009	Clutch hose with Banjo end, fits GSY118,	1	1982 on Verto
20	C-AJJ4025B	Banjo type steel braided hose	1	
21	C5192	Banjo bolt for GVP1009	1	
22	233220	Copper sealing washer	1	
23	3H550	Washer, banjo bolt to banjo	1	
24	2K8686	Locking nut	1	
25	WE600101	Shakeproof washer	1	

3

4

MASTER CYLINDER THAT HAS 2 RING SEALS CAN BE IDENTIFIED BY A SINGLE GROOVE AROUND BODY BELOW FLUID RESERVOIR, AS PER DIAGRAM BELOW.



IDENTIFICATION GROOVE ON BRAKE OR CLUTCH MASTER CYLINDER